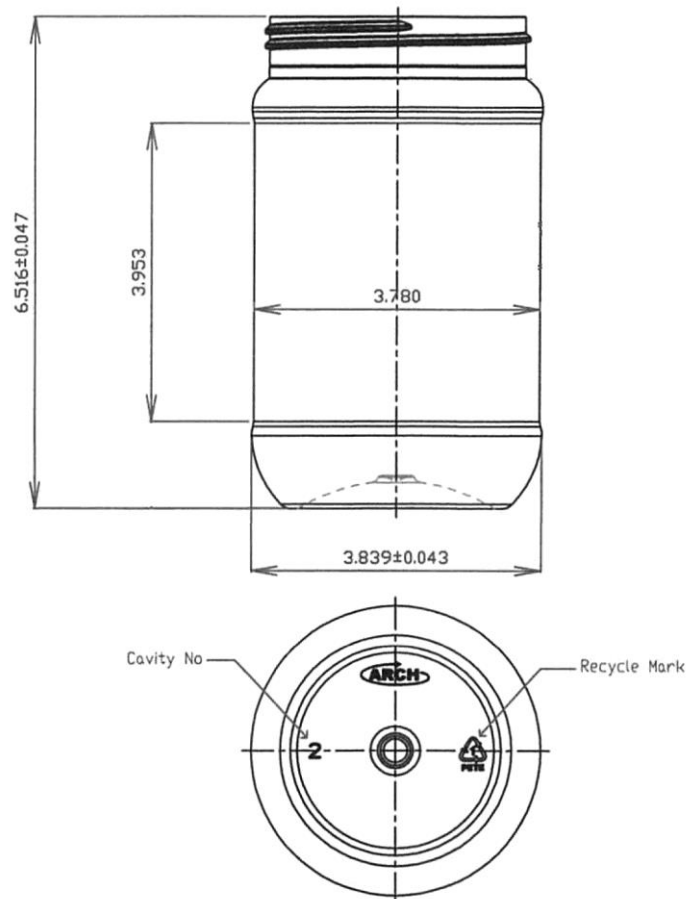


Date Created: 6/1/23

**40oz PET Clear Jar**

**Bottle Data Sheet**



**ARCH # 031119-XXXX**

**MOLD # K64088 (4 Cavities)**

**RESIN & COLORANT: FDA COMPLIANT**

**OVERFLOW CAPACITY: 1087.0 ± 11.0 ml**

**HEIGHT: 6.516 ± 0.047 Inch**

**WEIGHT: 58.5 ± 2.0 g**

**DIAMETER: 3.893 ± 0.043 Inch**

**NECK FINISH: M89 Special**

**BOTTLES PER Tray/Carton: 182**

**BOTTLES PER PALLET: 2,548**

**BOTTLES PER 53' TRUCK: 56,056**

**PALLET WEIGHT: 399 lbs**

**STOCK COLORS: Clear**